

# CENTRAL PNEUMATIC®

## INDUSTRIAL AIR FILTER REGULATOR

**Model 98904**

### SET UP AND OPERATING INSTRUCTIONS



Visit our website at: <http://www.harborfreight.com>



**Read this material before using this product.  
Failure to do so can result in serious injury.  
SAVE THIS MANUAL.**

Copyright© 2008 by Harbor Freight Tools®. All rights reserved. No portion of this manual or any artwork contained herein may be reproduced in any shape or form without the express written consent of Harbor Freight Tools. Diagrams within this manual may not be drawn proportionally. Due to continuing improvements, actual product may differ slightly from the product described herein. Tools required for assembly and service may not be included.

**For technical questions or replacement parts, please call 1-800-444-3353.**

Revised Manual 10c

## Specifications

Operating Pressure	0 -160 PSI
Air Inlet and Outlet Size	Inlet: 1/2" -14 NPT (female thread)
	Outlet: 1/4"-18 NPT (male thread)
Features	Replaceable air filter element
Filter	40 micron

## Save This Manual

You will need the manual for the safety warnings and precautions, assembly instructions, operating and maintenance procedures, parts list and diagram. Keep your invoice with this manual. Write the invoice number on the inside of the front cover. Keep the manual and invoice in a safe and dry place for future reference.

## Safety Warnings and Precautions

**WARNING: When using tools, basic safety precautions should always be followed to reduce the risk of personal injury and damage to equipment.**

**Read all instructions before using this tool!**

1. **Keep work area clean.** Cluttered areas invite injuries.
2. **Observe work area conditions.** Do not use in damp or wet locations. Don't expose to rain. Keep work area well lighted. Do not use in the presence of flammable gases or liquids.
3. **Keep children away.** Children must never be allowed in the work area. Do not let them handle this product or other machines, tools, or extension cords.
4. **Store idle equipment.** When not in use, this product must be stored in a dry location to inhibit rust. Always lock up and keep out of reach of children.
5. **Use the right tool for the job.** Do not attempt to force a small tool or attachment to the work of a larger industrial tool. There are certain applications for which this product was designed. It will do the job better and more safely at the rate for which it was intended. Do not modify this product and do not use this product for a purpose for which it was not intended.
6. **Do not overreach.** Keep proper footing and balance at all times. Do not reach over or across running machines.
7. **Dress properly.** Do not wear loose clothing or jewelry as they can be caught in moving parts. Protective, electrically nonconductive clothes and nonskid footwear are recommended when working. Wear restrictive hair covering to contain long hair.
8. **Use eye and ear protection.** Always wear ANSI-approved impact safety goggles when using and servicing this product and/or air tools. Wear a full face shield if you are producing metal filings or wood chips. Wear a NIOSH-approved dust mask or respirator when working around metal, wood, and chemical dusts and mists.
9. **Maintain tools with care.** Keep clean for better and safer performance. Follow instructions for lubricating and changing accessories. Inspect periodically and, if damaged, have them repaired by an authorized technician. The Filter/Regulator must be kept clean, dry, and free from oil and grease at all times.
10. **Disconnect power.** Unplug air compressor (not included) when not in use.
11. **Do not exceed maximum air pressure of 160 PSI.**
12. **Avoid unintentional starting.** Do not carry any air tool with your finger on the trigger, whether it is plugged in or not.

13. **Stay alert.** Watch what you are doing, use common sense. Do not operate any tool when you are tired.
14. **Check for damaged parts.** Before using Filter/Regulator, any part that appears damaged should be carefully checked to determine that it will operate properly and perform its intended function. Check for alignment and binding of moving parts; any broken parts or mounting fixtures; and any other condition that may affect proper operation. Any part that is damaged should be properly repaired or replaced by a qualified technician. Do not use any air tool if its switch does not turn On and Off properly.
15. **Replacement parts and accessories.** When servicing, use only identical replacement parts. Use of any other parts will void the warranty.
16. **Do not operate air tools if under the influence of alcohol or drugs.** Read warning labels if taking prescription medicine to determine if your judgment or reflexes are impaired while taking drugs. If there is any doubt, do not operate the product.
17. **Maintenance.** For your safety, service and maintenance should be performed regularly by a qualified technician.
18. **Before using any air tool, read and adhere to all instructions and safety warnings provided in the instruction manual of the air compressor being used.** Be sure to use compressed air only.

**Warning:** The brass components of this product contain lead, a chemical known to the State of California to cause birth defects (or other reproductive harm). (California Health & Safety Code 25249.5 et seq.)

**Warning:** The warnings, cautions, and instructions discussed in this instruction manual cannot cover all possible conditions and situations that may occur. It must be understood by the operator that common sense and caution are factors which cannot be built into this product, but must be supplied by the operator.

## Unpacking

When unpacking, check to make sure all parts are included. Refer to the photo below, and the Parts List and Diagram located at the end of this manual. If any parts are missing or broken, please call Harbor Freight Tools at the number on the cover of this manual.

## Assembly

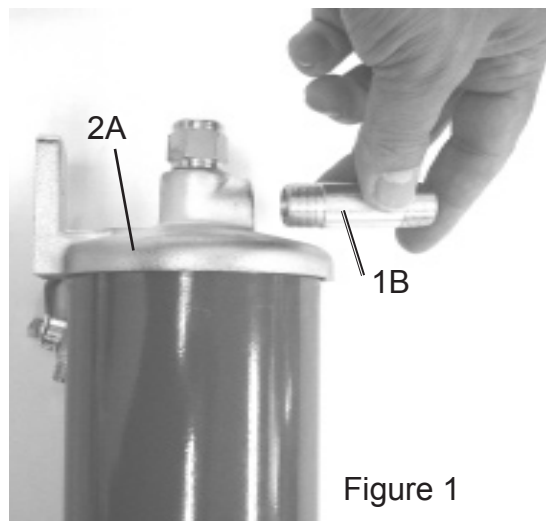
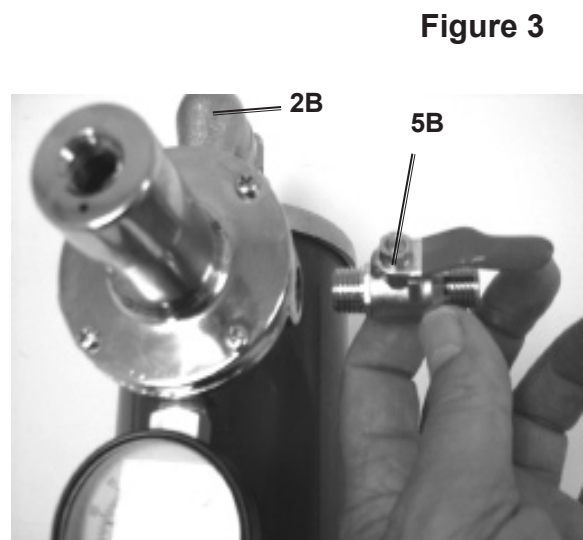
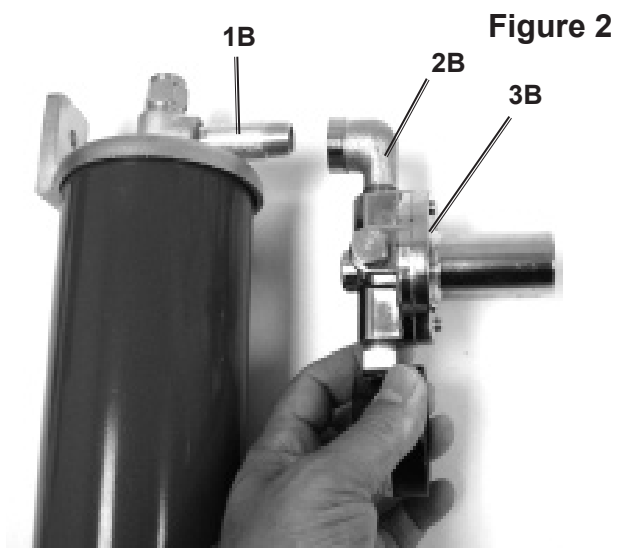


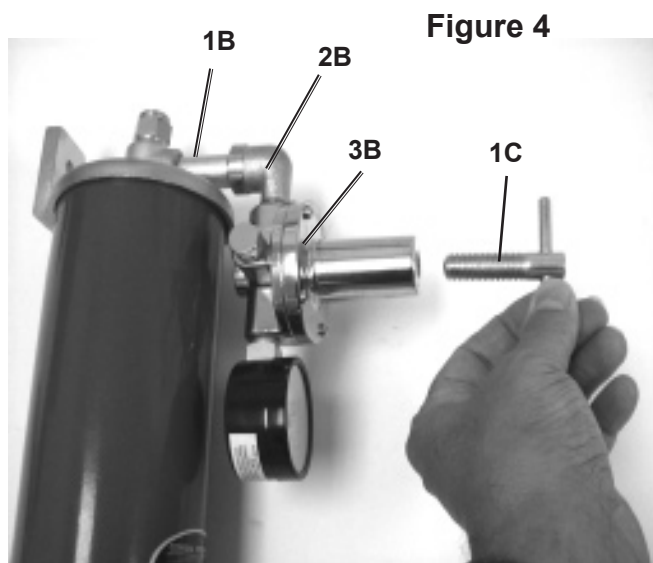
Figure 1

1. Remove the contents in the small plastic bag and locate Nipple (1B). Thread the Nipple (1B) into the side port of the Filter Cap (2A). You should use pipe thread seal tape or pipe dope (not included) on all threaded connections. See Figure 1.

## Assembly Continued



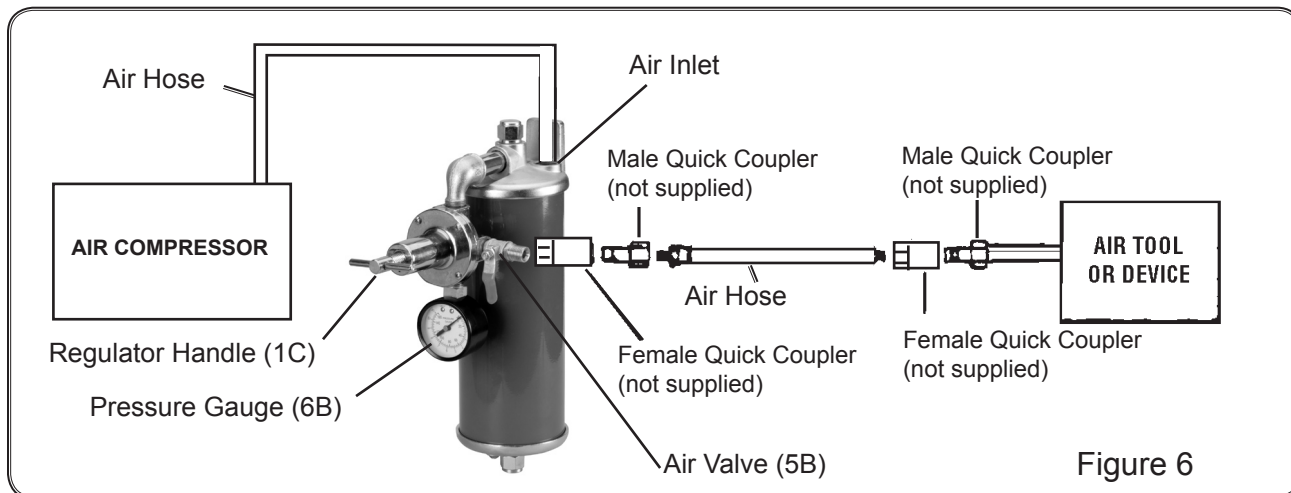
2. Next thread the Air Regulator (3B) onto the Nipple (1B). See Figure 2.
3. Thread in the Air Valve (5B) into the Air Regulator (3B). See Figure 3



4. Thread the Regulator Handle (1C) into the Air Regulator (3B) until tight. See Figure 4.
5. When assembly is complete, it should look like the photo in Figure 5.

## Air Connections

**Caution:** To avoid injury, make certain that the air compressor is unplugged from the power source and that all pressure is released from its tank before connecting the Air Filter/Regulator to it.



1. Connect an air hose (not included) or pipe (not included) between your air compressor (not included) and the 1/2" air inlet located on top of the Filter Cap (2A). See Figure 6.
2. Connect another air hose (not included) between the Air Valve (5B) and your air tool or paint gun. See Figure 6.

**NOTE:** It is recommended that you use male and female quick connectors as shown in Figure 6 above. This will allow you to quickly change air tools and hoses if required.

## Operation

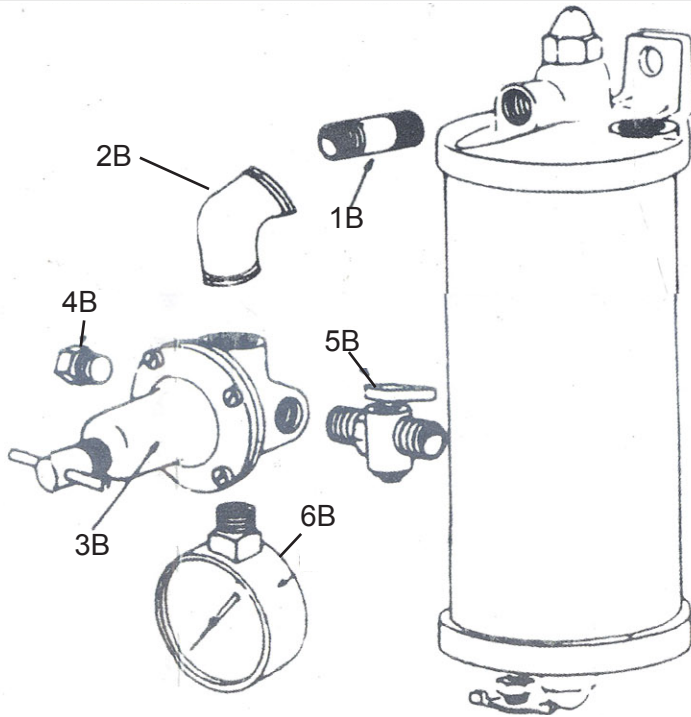
1. Turn on the air compressor and check for leaks. If any are found, turn the Compressor off, drain air from tank, and fix the leak. **WARNING:** Do not exceed 160 PSI during use.
2. With the compressor ON, turn the Regulator Handle(1C) to set the pressure that you want. Look at the Pressure Gauge (6B) while you turn the Adjusting Screw. Stop turning the Regulator Handle (1C) when the Pressure Gauge needle points to the desired pressure. See Figure 6.
3. You must drain the Air Filter/Regulator of water daily. With the unit under pressure, turn the Drain Plug (14A) to expel any accumulated moisture from the Air Filter. See page 6 parts list A.

## Maintenance

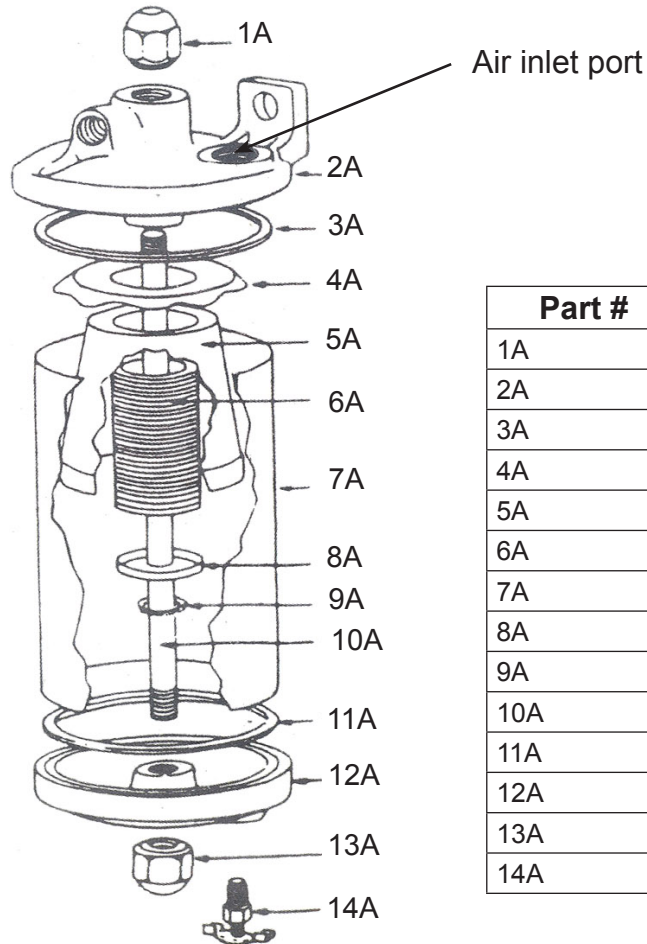
**Caution:** To avoid injury, make certain that the Air Filter/Regulator is depressurized before performing any maintenance on it.

1. Periodically remove the Filter (6A), rinse it out with water and replace. If it is damaged or if it needs to be replaced you can order a new one by calling 1-800-444-3353
2. To disassemble the air filter; remove the Nipple (1B) from the Housing (7A) by twisting it in a counterclockwise rotation.
3. **NOTE:** You will need to firmly hold the Cap Nut (13A), with a wrench, while you turn the Nipple (1B) because they are both connected to the same Stud (10A). See the parts list and assembly diagram page 6.
4. Once the Nipple (1B) is removed the filter will be accessible.
5. Make sure to tighten the Nipple (1B) before pressurizing the unit.

## Parts List And Assembly Diagram



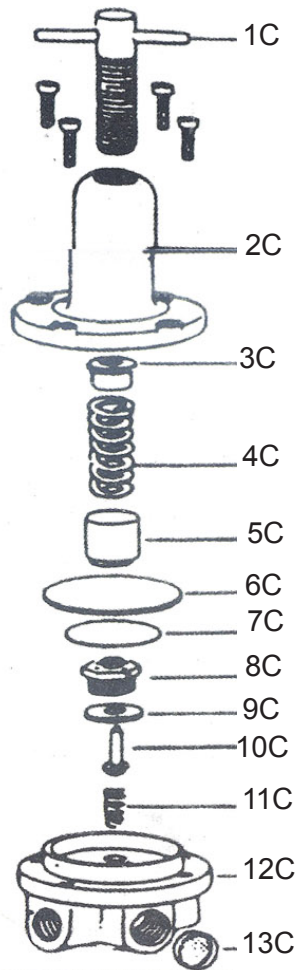
Part #	Description
1B	Nipple
2B	Elbow
3B	Air Regulator
4B	Plug
5B	Air Valve
6B	Gauge



Part #	Description
1A	Plug
2A	Filter Cap
3A	Gasket
4A	Plug
5A	Air Valve
6A	Filter
7A	Housing
8A	Filter Washer
9A	Retaining Ring
10A	Stud
11A	Gasket
12A	Filter Base
13A	Cap Nut
14A	Drain Plug

**NOTE:** Some parts are listed and shown for illustration purposes only and are not available individually as replacement parts.

## Parts List And Assembly Diagram Continued



Part #	Description
1C	Regulator Handle
2C	Housing Cap
3C	Spring Button
4C	Spring
5C	Spring Seat
6C	O-Ring
7C	Steel Plate
8C	Brass Nut
9C	O-Ring
10C	Pin
11C	Spring
12C	Body
13C	Filters

**NOTE:** Some parts are listed and shown for illustration purposes only and are not available individually as replacement parts.

### PLEASE READ THE FOLLOWING CAREFULLY

THE MANUFACTURER AND/OR DISTRIBUTOR HAS PROVIDED THE PARTS DIAGRAM IN THIS MANUAL AS A REFERENCE TOOL ONLY. NEITHER THE MANUFACTURER NOR DISTRIBUTOR MAKES ANY REPRESENTATION OR WARRANTY OF ANY KIND TO THE BUYER THAT HE OR SHE IS QUALIFIED TO MAKE ANY REPAIRS TO THE PRODUCT OR THAT HE OR SHE IS QUALIFIED TO REPLACE ANY PARTS OF THE PRODUCT. IN FACT, THE MANUFACTURER AND/OR DISTRIBUTOR EXPRESSLY STATES THAT ALL REPAIRS AND PARTS REPLACEMENTS SHOULD BE UNDERTAKEN BY CERTIFIED AND LICENSED TECHNICIANS AND NOT BY THE BUYER. THE BUYER ASSUMES ALL RISK AND LIABILITY ARISING OUT OF HIS OR HER REPAIRS TO THE ORIGINAL PRODUCT OR REPLACEMENT PARTS THERETO, OR ARISING OUT OF HIS OR HER INSTALLATION OF REPLACEMENT PARTS THERETO.

---

## LIMITED 90 DAY WARRANTY

---

Harbor Freight Tools Co. makes every effort to assure that its products meet high quality and durability standards, and warrants to the original purchaser that this product is free from defects in materials and workmanship for the period of 90 days from the date of purchase. This warranty does not apply to damage due directly or indirectly, to misuse, abuse, negligence or accidents, repairs or alterations outside our facilities, criminal activity, improper installation, normal wear and tear, or to lack of maintenance. We shall in no event be liable for death, injuries to persons or property, or for incidental, contingent, special or consequential damages arising from the use of our product. Some states do not allow the exclusion or limitation of incidental or consequential damages, so the above limitation of exclusion may not apply to you. THIS WARRANTY IS EXPRESSLY IN LIEU OF ALL OTHER WARRANTIES, EXPRESS OR IMPLIED, INCLUDING THE WARRANTIES OF MERCHANTABILITY AND FITNESS.

To take advantage of this warranty, the product or part must be returned to us with transportation charges prepaid. Proof of purchase date and an explanation of the complaint must accompany the merchandise. If our inspection verifies the defect, we will either repair or replace the product at our election or we may elect to refund the purchase price if we cannot readily and quickly provide you with a replacement. We will return repaired products at our expense, but if we determine there is no defect, or that the defect resulted from causes not within the scope of our warranty, then you must bear the cost of returning the product.

This warranty gives you specific legal rights and you may also have other rights which vary from state to state.

**3491 Mission Oaks Blvd. • PO Box 6009 • Camarillo, CA 93011 • (800) 444-3353**